

INSTRUCTIONS :

934040
GE C44/AC
SAND FILL HATCHES

920072
3-CHIME AIR HORN GRAY

934030
GE C44/AC
EXHAUST STACK

AC4400CW GLASS SET
920220 FOR STANDARD CAB W
/ LOW NUMBER BOARDS
920230 FOR STANDARD CAB W
/ HIGH NUMBER BOARDS
920240 FOR GULL WING CAB

AC4400CW BODYSHELL, UNDEC
921520 (2-VENT, EARLY W/ LOW NUMBER BOARDS)
921530 (2-VENT, LATE W/ HIGH NUMBER BOARDS)
921540 (2-VENT, LATE W/ GULL WING CAB)

922500
MU HOSES

GE C44/AC NUMBER BOARDS
934057 HIGH
934058 LOW

GE BRAKE WHEEL
933021 BLACK
933022 GRAY
933023 SILVER
933024 BLUE
933025 CP RED
933026 YELLOW
933029 BNSF ORANGE

923510
FLAT CENTERING SPRINGS
(FOR CLIP MOUNT)

923520
COUPLER CLIP

923512
COUPLER TRIP PINS
(USE WITH 9235XX
COUPLERS)

928053
CIRCUIT BOARD WITH
GOLDEN WHITE LEDS

934027
SNOWPLOW, GRAY

928500
CIRCUIT BOARD
POWER CLIPS

926510
WORM GEAR SET

923130
RAPIDO COUPLER SET
W/ CLIP, PILOT MOUNT (LONG)

927010
MOTOR BRUSH SET

923150
MAGNETIC KNUCKLE COUPLER SET,
PILOT MOUNT W/ LONG & SHORT SHANKS

926030
MOTOR FOR 6-AXLE UNITS

923500
MAGNETIC KNUCKLE COUPLER,
SHORT SHANK

900040
SCREW 2X7MM, ROUND HEAD

923501
MAGNETIC KNUCKLE COUPLER,
LONG SHANK

930040
DOUBLE GEAR, VERSION 4

901010
HEX NUT, 2MM

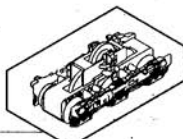
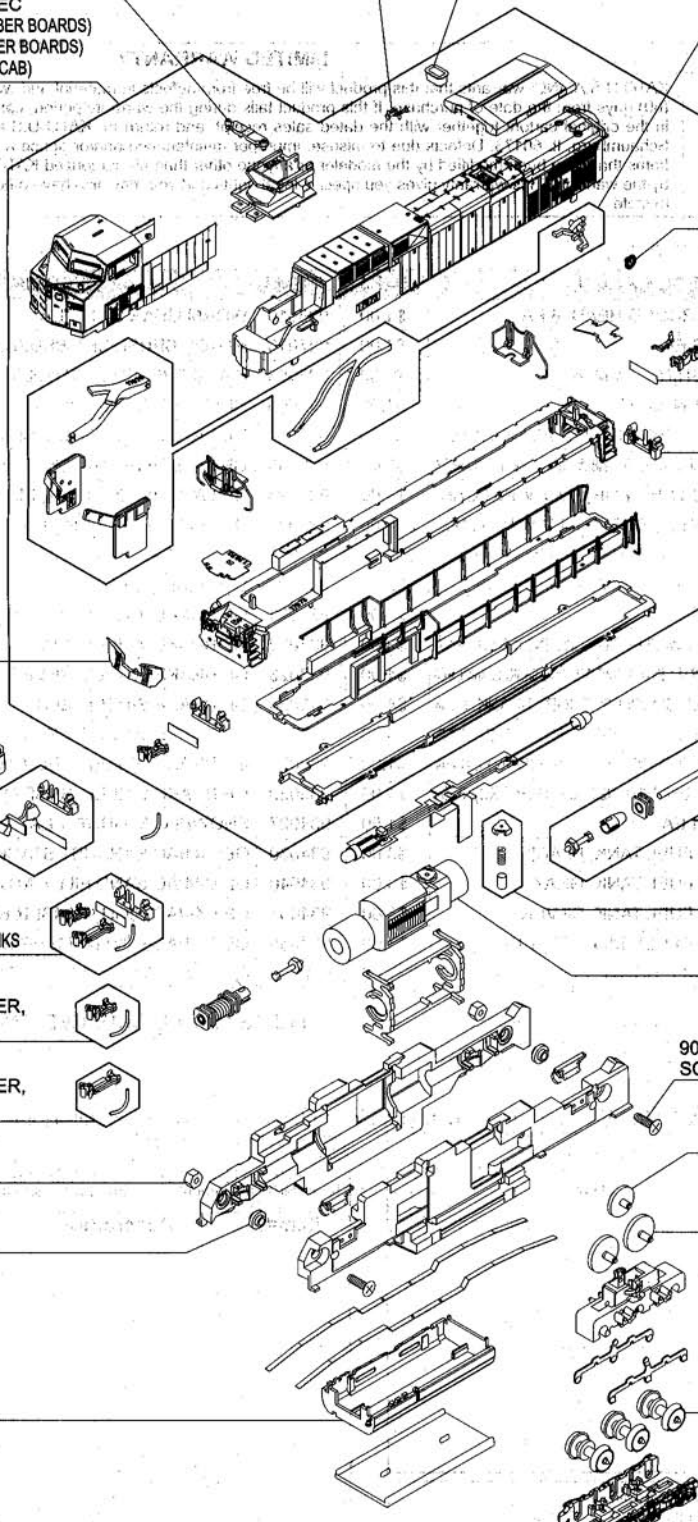
931030
IDLER GEAR, VERSION 3

902010
INSULATING BUSHING, 2MM

GE C44/AC FUEL TANK
924161 LATE, BLACK
924162 LATE, GRAY
924163 LATE, SILVER
924171 EARLY, BLACK

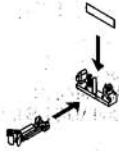
932100
LOW PROFILE GEARED
WHEELSET, POINTED AXLE

GE LATE HI-AD TRUCK
929291 BLACK
929292 GRAY
929293 SILVER

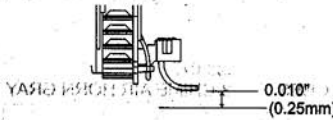


■ Replacing The Pilot Coupler

1. Pull to remove the pilot Coupler.
2. Remove the Coupler Pocket from the Body.
3. Put the Pilot Coupler Spring onto the Coupler Pocket.
4. Install the Coupler Pocket.
5. Press the Coupler into the Pilot Opening.



■ Installation of Magnetic Trip Pins in Coupler



Push straight leg of Pin into oval shaped hole in Knuckle, noting the fit of the flattened shape of the Trip Pin. The Pin should clear the top of the rail by 0.010" (0.25mm) to prevent its snagging on switches or grade crossings.

NOTICE:

1. Max. Operational voltage: 12V DC
2. Additional lubrication at time of purchase is not recommended.

LIMITED WARRANTY

KATO U.S.A., INC. warrants that this product will be free from defects in material and workmanship for a period of sixty (60) days from the date of purchase. If this product fails during the warranty period, carefully pack the assembled item in the original carton, together with the dated sales receipt, and return to: KATO U.S.A., INC. 100 Remington Road, Schaumburg, IL 60173. Defects due to misuse, improper maintenance and/or abuse are not covered by this warranty. Items that have been modified by the modeler or anyone other than an authorized KATO repair person are not covered by the warranty. This warranty gives you specific legal rights and you may also have other rights which vary from state to state.

Parts Price List & Order Form

900040	SCREW 2X7MM, ROUND HEAD, 6 EA	\$1.00	926510	WORM GEAR SET, 1 EA	\$4.00
901010	HEX NUT, 2MM, 6 EA	\$1.00	927010	MOTOR BRUSH SET: BRUSH, CAP, SPRING, 1 EA	\$2.00
902010	INSULATING BUSHING, 2MM, 6 EA	\$1.00	928053	CIRCUIT BOARD WITH GOLDEN WHITE LEDS, 1 EA	\$8.00
920072	3-CHIME AIR HORN, GRAY	\$1.00	928500	CIRCUIT BOARD POWER CLIPS, 2 EA	\$2.00
920220	AC4400CW GLASS SET, FOR STANDARD CAB W/ LOW NUMBER BOARDS	\$5.00	929291	GE LATE HI-AD TRUCK, BLACK	\$12.00
920230	AC4400CW GLASS SET, FOR STANDARD CAB W/ HIGH NUMBER BOARDS	\$5.00	929292	GE LATE HI-AD TRUCK, GRAY	\$12.00
920240	AC4400CW GLASS SET, FOR GULL WING CAB	\$5.00	929293	GE LATE HI-AD TRUCK, SILVER	\$12.00
921520	AC4400CW BODYSHELL, UNDEC (2-VENT, EARLY W/ LOW NUMBER BOARDS)	\$32.00	930040	DOUBLE GEAR, VERSION 4, 4 EA	\$2.00
921530	AC4400CW BODYSHELL, UNDEC (2-VENT, LATE W/ HIGH NUMBER BOARDS)	\$32.00	931030	IDLER GEAR, VERSION 3, 4 EA	\$2.00
921540	AC4400CW BODYSHELL, UNDEC (2-VENT, LATE W/ GULL WING CAB)	\$32.00	932100	LOW PROFILE GEARED WHEELSET, POINTED AXLE, 6 EA	\$9.00
922500	MU HOSES	\$1.00	933021	GE BRAKE WHEEL, BLACK	\$1.00
923130	RAPIDO COUPLER SET W/ CLIP, PILOT MOUNT (LONG), 4 EA	\$3.60	933022	GE BRAKE WHEEL, GRAY	\$1.00
923150	MAGNETIC KNUCKLE COUPLER SET, PILOT MOUNT W/ LONG & SHORT SHANKS, 2 EA	\$4.00	933023	GE BRAKE WHEEL, SILVER	\$1.00
923500	MAGNETIC KNUCKLE COUPLER, SHORT SHANK, 8 EA	\$4.00	933024	GE BRAKE WHEEL, BLUE	\$1.00
923501	MAGNETIC KNUCKLE COUPLER, LONG SHANK, 8 EA	\$4.00	933025	GE BRAKE WHEEL, OP RED	\$1.00
923510	FLAT CENTERING SPRINGS (FOR CLIP MOUNT), 8 EA	\$1.00	933026	GE BRAKE WHEEL, YELLOW	\$1.00
923512	COUPLER TRIP PINS (USE WITH 9235XX COUPLERS), 8 EA	\$1.00	933029	GE BRAKE WHEEL, BNSF ORANGE	\$1.00
923520	COUPLER CLIP, 4 EA	\$1.50	934027	SNOWPLOW, GRAY, 1 EA	\$1.00
924161	GE C44/AC LATE FUEL TANK, BLACK	\$3.00	934030	GE C44/AC EXHAUST STACK, 1 EA	\$1.00
924162	GE C44/AC LATE FUEL TANK, GRAY	\$3.00	934040	GE C44/AC SAND FILL HATCHES, 4 EA	\$1.00
924163	GE C44/AC LATE FUEL TANK, SILVER	\$3.00	934057	GE C44/AC HIGH NUMBER BOARDS	\$1.00
924171	GE C44/AC EARLY FUEL TANK, BLACK	\$3.00	934058	GE C44/AC LOW NUMBER BOARDS	\$1.00
926030	MOTOR FOR 6-AXLE UNITS, 1 EA	\$29.00	942994	CLEAR PLASTIC BOX & LID WITH BLUE KATO LOGO (NO INSERTS), 1 EA	\$7.50

Price and Availability Subject to Change Without Notice.
Parts May Also be Available at Your Local Hobby Dealer.
Check Here if Color Substitutions are Acceptable if Selected Color Choice is not Available.

PARTS MAY BE ORDERED ONLINE AT www.katousa.com

ORDERED BY: Hours: Mon-Fri 9:00 a.m. to 12:00 p.m. or 1:00 p.m. to 4:00 p.m. Central Time (Except Holidays)

Name		
Address		Phone
City	State	Zip
Daytime Phone Number Area Code ()		

Phone Orders	Fax Orders	Mail Orders
1-800-548-5286 Kato Parts Department	847-781-9570 Fax your order form	100 Remington Road Schaumburg IL 60173

Item#	Description	Price	Qty.	Total

Shipping & Handling Charges:

Please add to Shipments:
\$5.00 U.S.A. Canada and Mexico
\$9.00 to Other foreign country

SUBTOTAL

IL Residents
Add 8.75% Sales Tax
SHIPPING & HANDLING

TOTAL DUE

SHIP TO:

Name		
Address		Phone
City	State	Zip

METHOD OF PAYMENT (U.S. Funds Only)

Check Money Order MasterCard VISA
(Allow two weeks for check clearance)

Credit Card Number

Expiration Date

Signature

3 Digit Code Number from Card Back